

## U 411

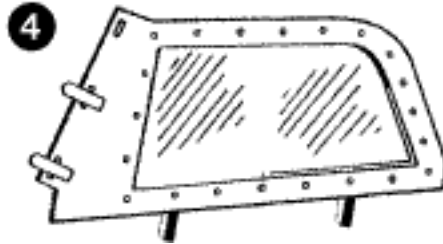
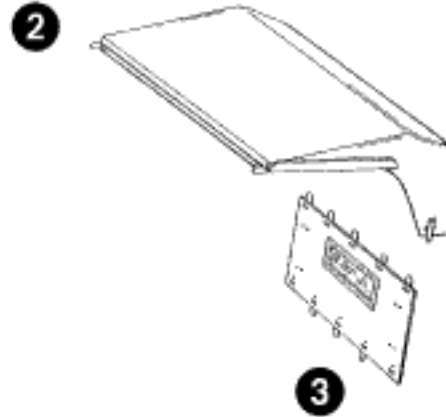
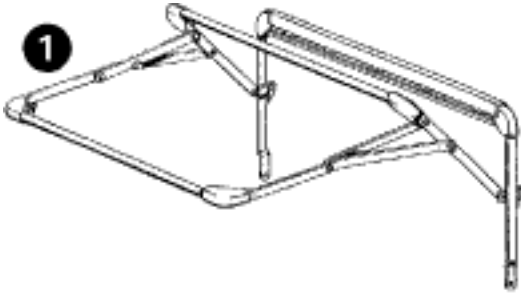
1	Rear view mirror, round, metal 13cm Ø	002 045
2	Raised airintake	002 060
3	Side panelling, front, left	002 030
	Side panelling, front, right	002 031
4	Panelling left	002 051
	dto. right	002 052
5	Panelling including rubber buffer, left	002 024
	dto. right	002 025
6	Door without hinges, door handle and door lock, left	002 001
	dto. right	002 002
7	Door lock, left (screws included)	002 004
	dto. right	002 005
8	Door handle left or right (screws included)	002 003
9	Front fender, narrow, left ( for tires 7,5 x 18 )	002 012
	dto. right	002 013
	Front fender, wide, left ( for tires 10,5 x 18 )	002 020
	dto. right	002 021
10	Mounting-set ( welt and 10 special-screws)	002 014
11	Rear fender, early version (4 pieces)	002 017
12	Rear fender, late version, left	002 018
	dto. right	002 019
n. shown	Additional rubber fender to 002 018 and 002 019	002 035
13	Battery case, complete	005 001
n. shown	Radiator grille	002 037
	Rear panelling for open cab, new type	002 038
	Hinge half, door	002 055
	Hinge half, body	002 057

## U 401

1	Rear view mirror, round, metal 13cmØ	002 145
2	Raised air intake	002 160
3	Side panelling, front, left	002 130
	dto. right	002 131
4	Panelling left	002 120
	dto. right	002 121
5	Panelling including rubber buffer, left	002 124
	dto. right	002 125
6	Door without hinges, door handle and door lock, left	002 101
	dto. right	002 102
7	Door lock, left (screws included)	002 104
	dto. right	002 105
8	Door handle (screws included)	002 103
9	Front fender, left	002 112
	dto. right	002 113
11	Rear fender (4 pieces)	002 117
13	Battery case, complete	005 101
n. shown	Hinge half, door	002 055
	Hinge half, body	002 057

## U 2010

1	Rear view mirror, round, metal 13 cm Ø	002 245
2	Raised air intake	002 260
n. shown	Open body, without doors, fenders, engine hood, radiator grille	002 250
3	Side panelling, front, left	002 230
	dto. right	002 231
5	Panelling including rubber buffer, left	002 224
	dto. right	002 225
6	Door without hinges, door handle and door lock, left	002 201
	dto. right	002 202
7	Door lock (screws included)	002 204
	dto. right	002 205
8	Door handle, (screws included)	002 203
9	Front fender, left	002 212
	dto. right	002 213
11	Rear fender, left	002 217
	dto. right	002 218
13	Battery case, complete	005 201
n. shown	engine hood	002 247
	Stirrup, left	002 240
	Stirrup, right	002 241
	Hinge half, door	002 055
	Hinge half, body	002 057



## U 411

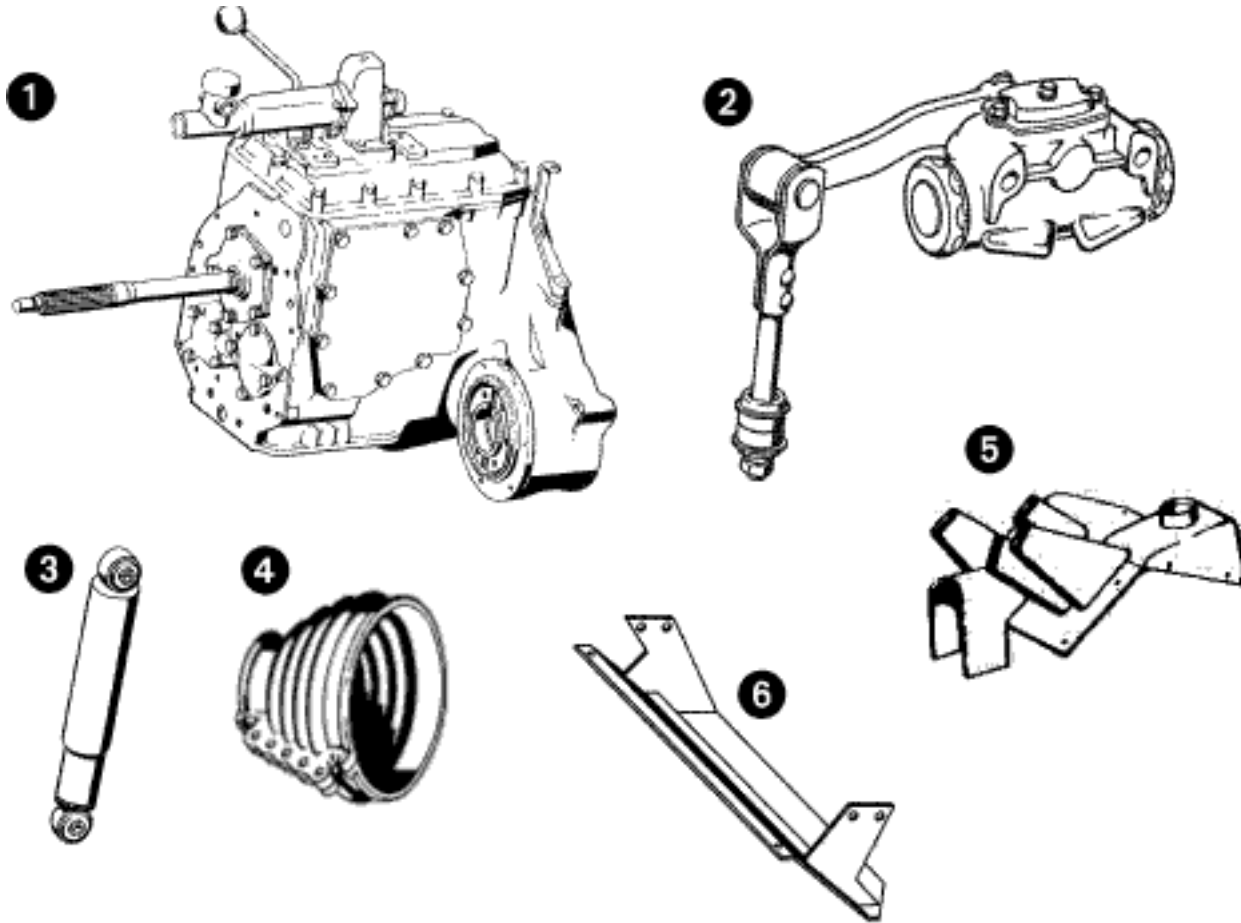
1	Frame, folding top (up to chassis Nr. 029653)	001 010
n. shown	Rubber seal between canvas and rail	001 011
	Rail	001 012
2	Canvas, folding top up to chassis Nr. 029653	001 001
	dto. from chassis Nr. 029653	001 003
3	Rear panel up to chassis Nr. 029653	001 002
	dto. from chassis Nr. 029653	001 004
4	Stip in window, left, up to chassis Nr. 029653	001 006
	dto. right	001 007
	Stip in window, left, from chassis Nr. 029653	001 008
	dto. right	001 009

## U 401

1	Frame, folding top	001 110
n. shown	Rubber seal between canvas and rail	001 111
	Rail	001 112
2	Canvas, folding top	001 101
3	Rear panel	001 102
4	Stip in window, left	001 106
	dto. right	001 107

## U 2010

1	Frame, folding top	001 210
n. shown	Rubber seal between canvas and rail	001 211
	Rail	001 212
2	Canvas, folding top	001 201
3	Rear panel	001 202
4	Stip in window, left	001 206
	dto. right	001 207



## U 411

1	Gear box, new	006 001
	dto. reconditioned	006 002
3	Shock absorber Boge/Sachs standard	004 001
	dto. heavy duty	004 002
	Shock absorber, Monroe	004 010
4	Boot, old axle	006 010
	dto, new axle	006 011
5	Sealing leather	006 006
6	Protection plate (protects radiator and steering)	006 012
n. shown	Front bumper	013 020

## U 401

1	Gear box, new	006 001
2	Knee action-shockabsorber, reconditioned	004 101
n. shown	Rubber bushing for lever	004 102
4	Boot	006 110
n. shown	Front bumper	013 120

## U 2010

1	Gear box, new	006 001
2	Knee action-shockabsorber, reconditioned	004 101
n. shown	Rubber bushing for lever	004 102
4	Boot	006 210
n. shown	Front bumper	013 220

## U 411

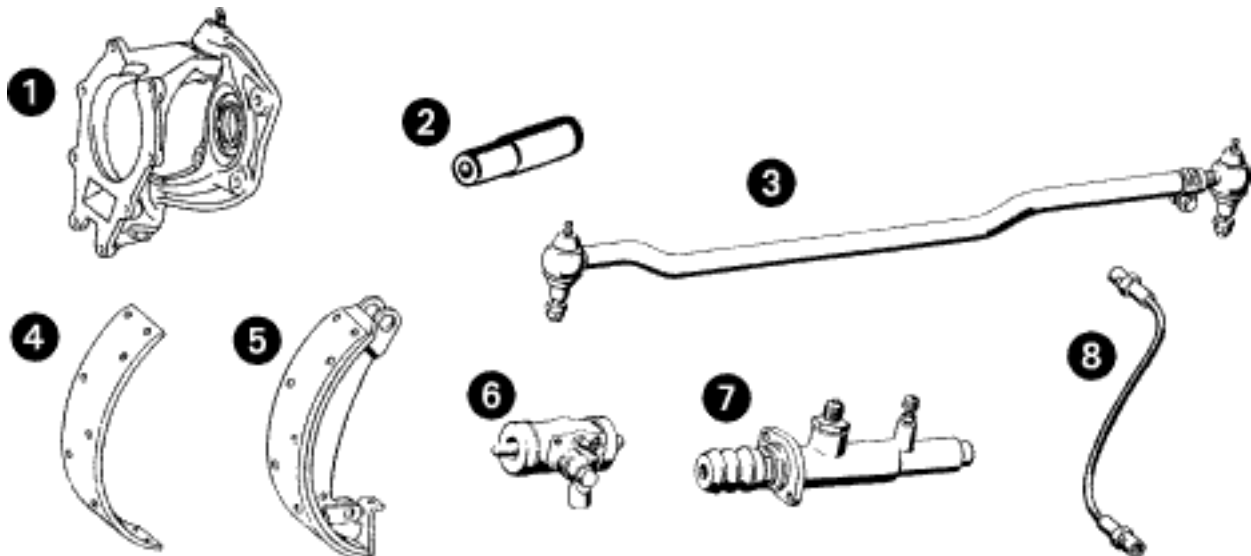
1	Complete steering knuckle, old axle	006 040
2	Bearing bolt for pedals	006 045
n. shown	Bushings, fitted washer and lock ring to 006 045	006 046
3	Tie rod, old axle	006 050
n. shown	Ball joint to 006 050, lubricationable	006 051
n. shown	Rubber boot to ball joint for pushing- and tie rod, new type	006 055
4	Brake linings, old axle ( 8 pcs.with rivets)	006 060
	Brake linings, new axle ( 8 pcs. with rivets)	006 062
5	Brake shoes with linings, old axle ( 8 pcs. )	006 067
6	Wheel cylinder, old front axle	006 072
	Wheel cylinder, new front axle	006 073
n. shown	Repair kit for wheel cylinder front axle (without piston)	006 076
	Wheel cylinder old rear axle	006 074
	Wheel cylinder new rear axle	006 075
n. shown	Repair kit for wheel cylinder rear axle (piston included)	006 077
7	Main cylinder	006 080
n. shown	Reservoir, brake fluid	006 078
8	Front brake hose, left or right	006 085
	Central brake hose	006 088
	Rear brake hose	006 089
n. shown	Complete transmission gear, old axle	006 095
	Brake drum, old axle	006 097

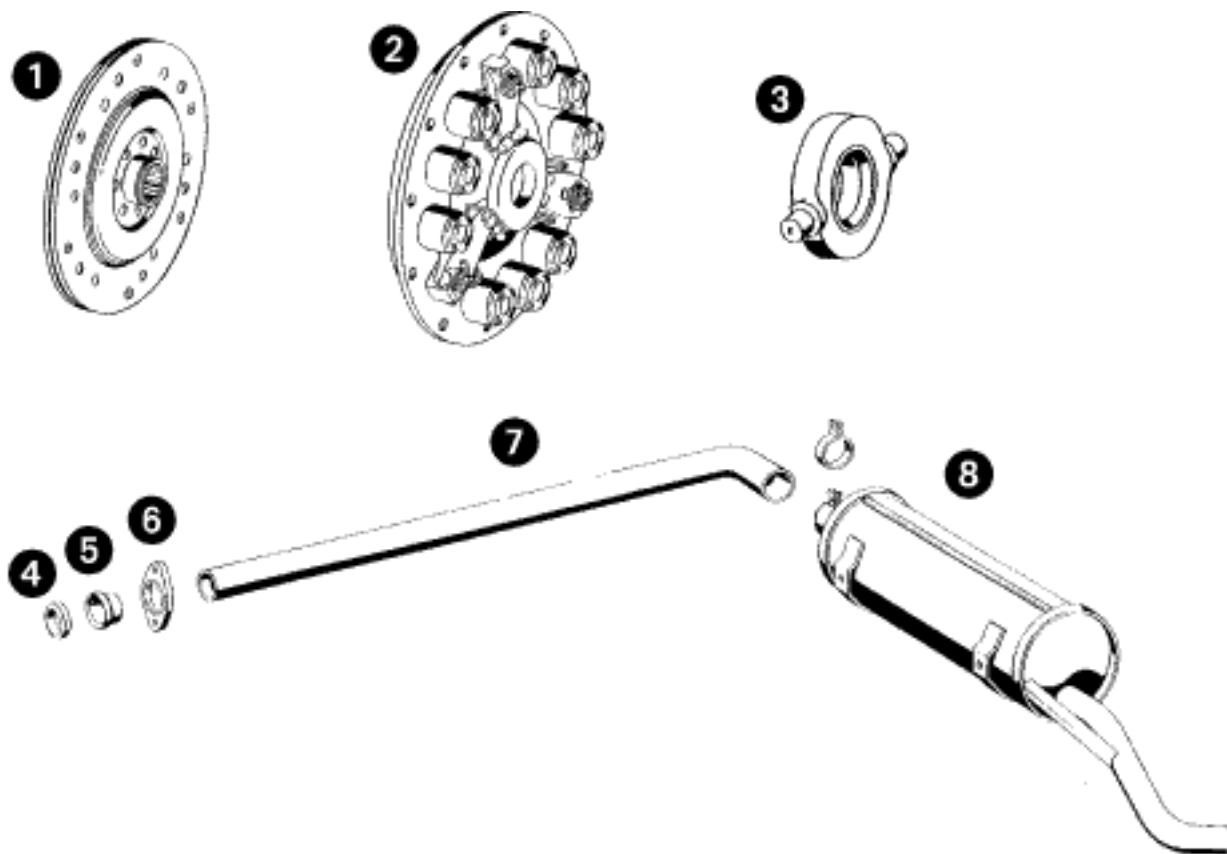
New and complete front and rear axles (old type) for Unimog 411 available

## U 401/2010

1	Steering knuckle complete, old axle	006 140
4	Brake linings ( 8 pcs. with rivets)	006 160
6	Wheel cylinder, front axle	006 172
	Wheel cylinder, rear axle	006 174
7	Main cylinder, with reservoir	006 180
8	Front brake hose, left or right	006 185
	Rear brake hose	006 188
n. shown	Ball joint for tie rod and pushing rod	006 151

Several seals, radial seal rings and wearing rings on request





## U 411

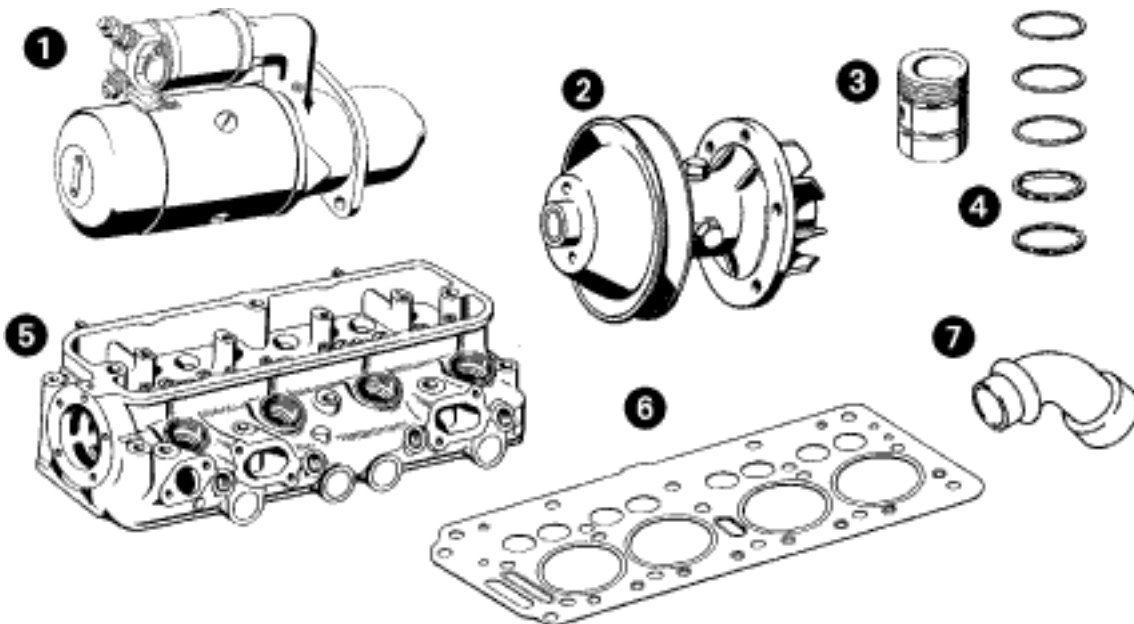
1	Clutch plate assembly	007 001
2	Pressure plate assembly	007 004
3	Release bearing with graphite cup	007 007
n. shown	Graphite cup for release bearing	007 008
4	Seal ring	007 040
5	Pipe adapter	007 041
6	Flange	007 045
7	Exhaust pipe	007 047
8	Muffler, with pipe clamp	007 049

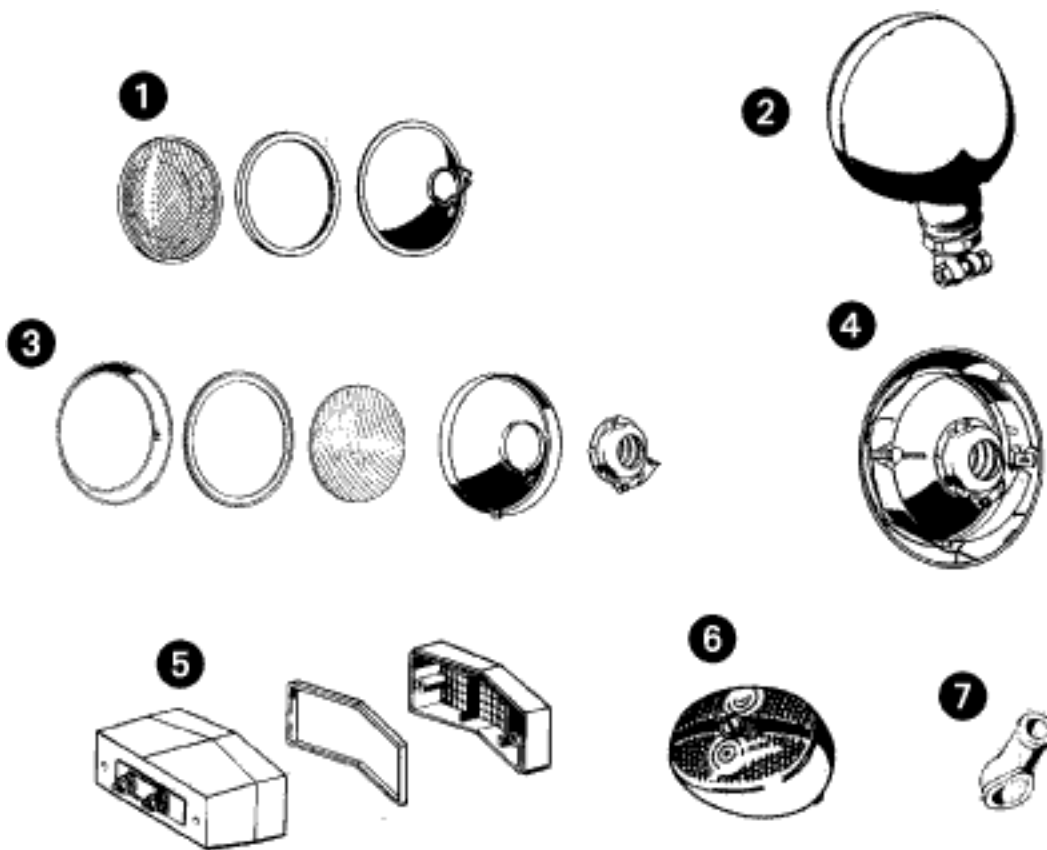
## U 401/2010

1	Clutch plate assembly	007 101
2	Pressure plate assembly	007 104
3	Release bearing with graphite cup	007 107
n. shown	Graphite cup for release bearing	007 108
4	Seal ring	007 140
5	Pipe adapter	007 141
6	Flange	007 145
7	Exhaust pipe	007 147
8	Muffler, with pipe clamp	007 149

# OM 636

1	Starter motor	636 001
n. shown	Winding for starter motor	636 029
2	Waterpump with drive pulley	636 002
3	Piston 75 to 77mm including piston rings	636 014
4	Set of piston rings 75 to 77mm` s Mahle/Nüral	636 022
5	Cylinder head with studs, without valves	636 004
n. shown	Set of valves (8 pcs.)	636 003
6	Cylinder head gasket	636 005
7	Air intake rubber hose, bent	636 028
n. shown	Cylinder head cover gasket	636 020
	Cylinder head gasket kit	636 006
	Injection pump	636 003
	Engine gasket kit	636 007
	Camshaft	636 008
	Crankshaft	636 009
	Oil pump	636 010
	Injection nozzle	636 018
	Nozzle holder with nozzle, exchange	636 011
	Main bearing set 54 to 55 mm` s	636 012
	Hour meter	636 013
	Cylinder liner with/without collar	636 015
	Pre combustion chamber	636 016
	Camshaft bearing kit	636 017
	Thermostat insert	636 023
	Fan V-belt	636 024
	Fuel filter element	636 025
	Air filter element	636 026
	Rubber gasket to air filter element	636 080
	Fast pre heating set (4 glow plugs with cables)	636 027
	Reconditioned engine, complete	636 019
	Short engine, exchange	636 020



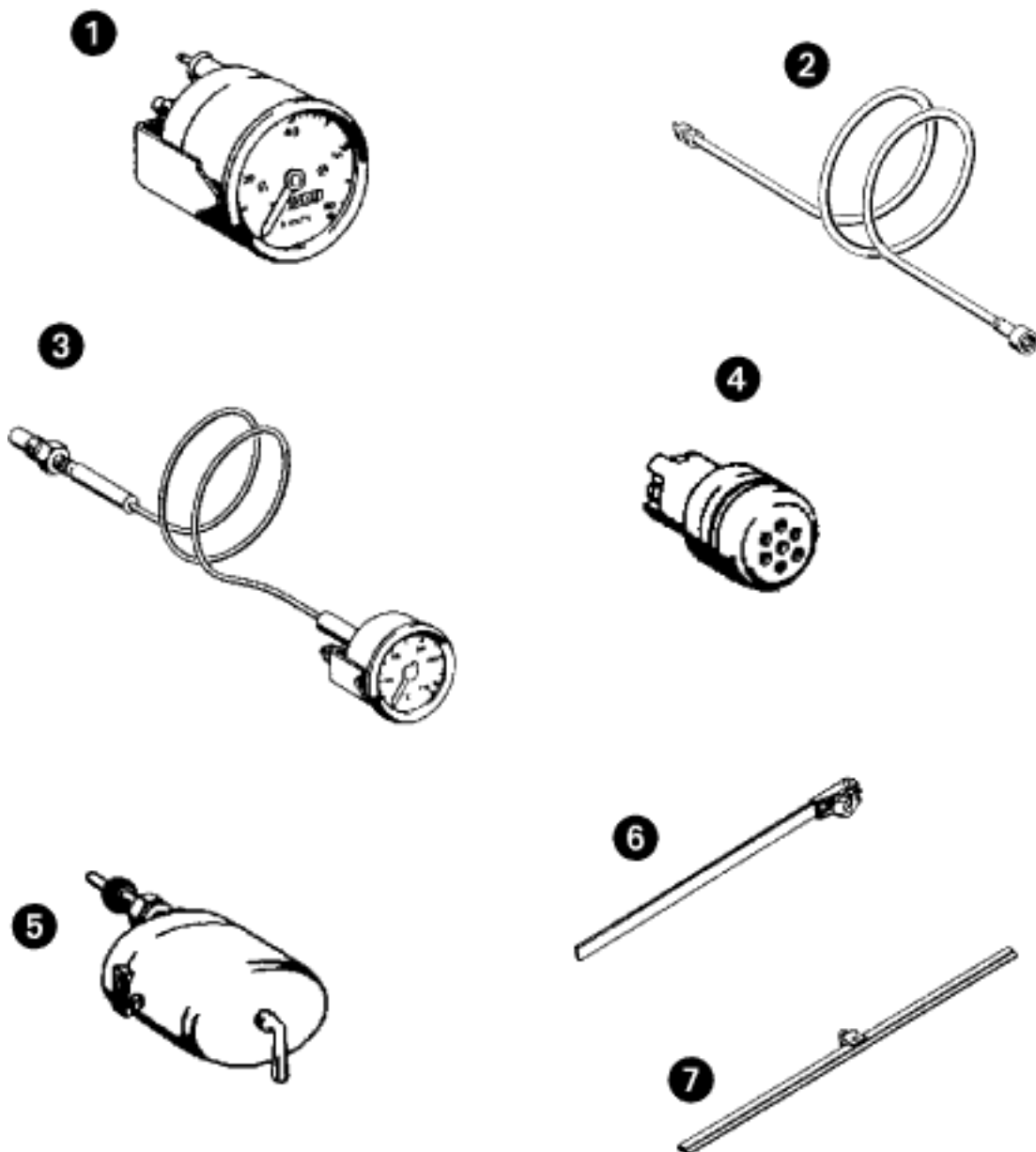


## U 411/ U 401/ U 2010

1	Individual parts for headlamps old version (Bosch or Hella)	
	Diffuser lens	003 001
	Seal ring	003 003
	Reflector	003 005
n. shown	Front rim, with screw, black	003 007
2	Headlamp old type, complete	003 010
	Auxiliary headlamp, old version, Hella	003 011
n. shown	Support for auxiliary headlamps	003 013
3	Individual parts for headlamps new type (only U411 with open body)	
	Rim	003 015
	Seal ring	003 017
	Diffuser lens	003 019
	Reflector	003 021
	Lamp socket	003 023
n. shown	Shell headlamp	003 024
n. shown	Headlamp element U 411, closed body	003 026
4	Headlamp new version, complete	003 025
5	Combined stop-tail-blinker lamp, left or right (from chassis 030468)	003 027
	Seal ring	003 029
	Lens	003 031
6	Rear lamp, version, metall body, left or right (to chassis 030467)	003 035
7	Protection boot, starter motor	003 040
n. shown	Rubber pad under turning light, SWF, old type	003 041

# U 411/ U 401/ U 2010

1	Speedometer	003 045
n. shown	Chromed ring to speedometer	003 046
2	Flexible shaft to speedometer	003 047
3	Water temperature gauge, duplicate	003 049
n. shown	Chromed ring to gauges	003 050
4	Heater plug indicator resistor	003 051
5	Wiper motor	003 055
6	Wiper lever	003 057
7	Wiper blade	003 059



more spare parts without figures

## Unimog 411/401/2010

Dumper cylinder	009 010
3 point lifter rear, duplicate	013 001
Hydraulic cylinder to 3 point lifter	013 015
Seat covers	001 020
Leather cover for engine hood, cabin	001 021
Leather cover for water reservoir, cabin	001 022
Wiring harness	009 011
Differential complete (old axle)	006 030
Double joint shafts, old axle	006 031
PTO centraliser with support	007 999
Sealing below windscreen, U 411 and older (open body)	009 013
Fuel tanks, 40 or 60 liters	
Unimog Logo und Ochsenkopf Sticker	